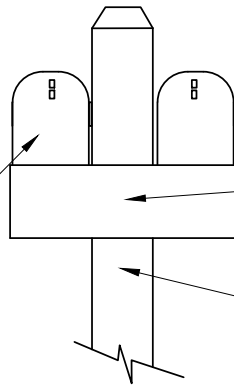


NOTE:
TYPICAL GROUPING MAY
VARY FROM 1 TO 2 BOXES
AS DETERMINED BY THE
UNITED STATES POSTAL
SERVICE

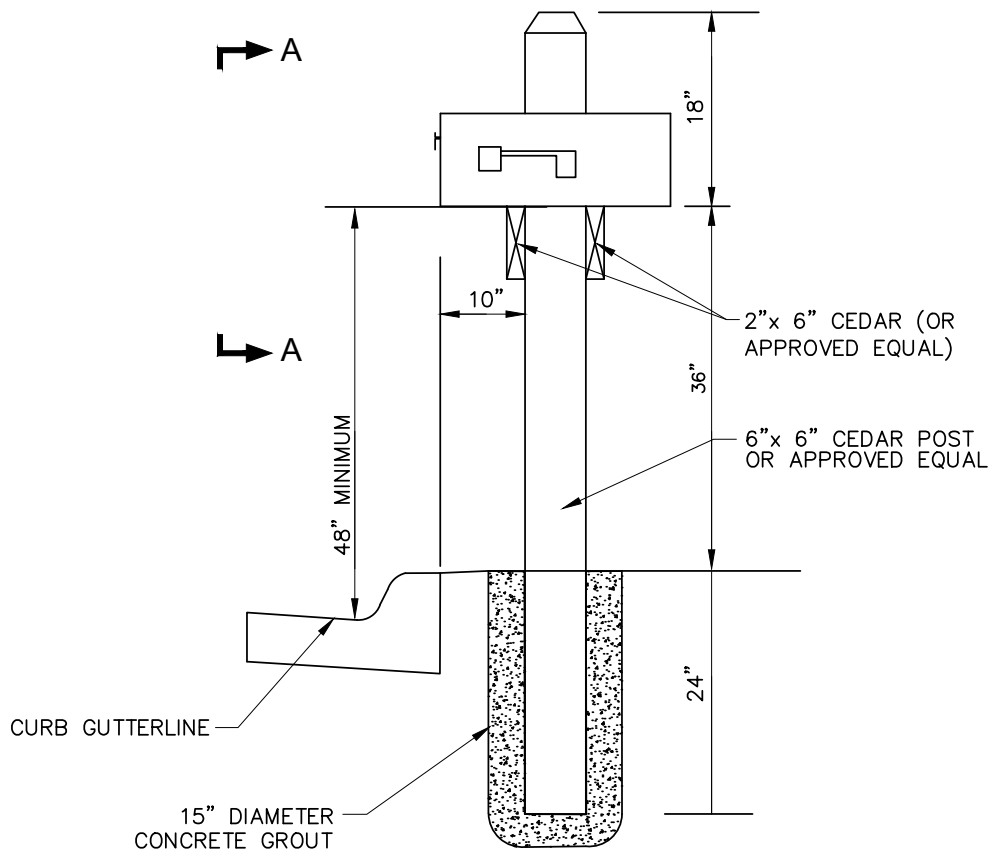
U. S. POST OFFICE
APPROVED MAIL BOX
(BLACK IN COLOR)



2"x 6" CEDAR (OR APPROVED
EQUAL) ATTACH TO POST
USING 4-1/4" GALVANIZED LAG
BOLTS

6"x 6" CEDAR POST
OR APPROVED
EQUAL

SECTION A-A



MAIL BOX INSTALLATION DETAIL

NO SCALE



MAILBOX INSTALLATION

(TYPICAL)

PLATE NO. LV-ST-5

DATE 02/2024