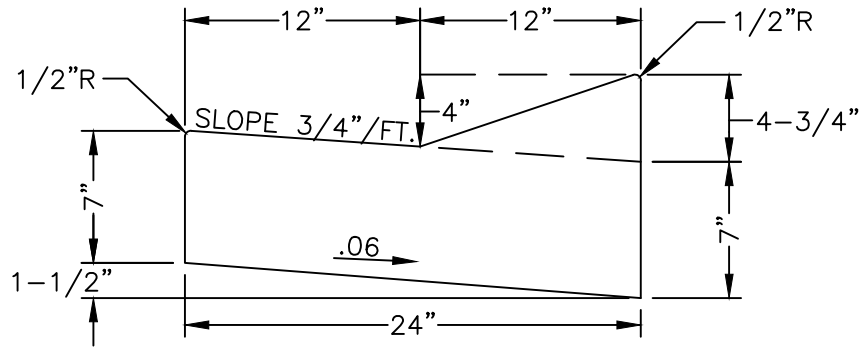


STANDARD CURB & GUTTER
(B618 CURB & GUTTER)

NOTE: B618 CURB AND GUTTER TO BE INSTALLED ON ALL RADII AND A 5° TRANSITION ON CATCH BASINS WHERE D412 CONCRETE CURB AND GUTTER IS SPECIFIED.



STANDARD SURMOUNTABLE
(D412 CURB & GUTTER)



STREET
STANDARD CURB DETAILS

PLATE NO. LV-ST-2

DATE 02/2024