

NOTES:

1. BASE TO BE GROUTED TO FORM SMOOTH INLET TO OUTLET.
2. PIPE CUT-OUTS TO BE LOCATED WHERE REQUIRED.
3. ALL GROUTING MUST BE AN APPROVED NON-SHRINKABLE GROUT MIX FOR UNDERGROUND CONSTRUCTION.

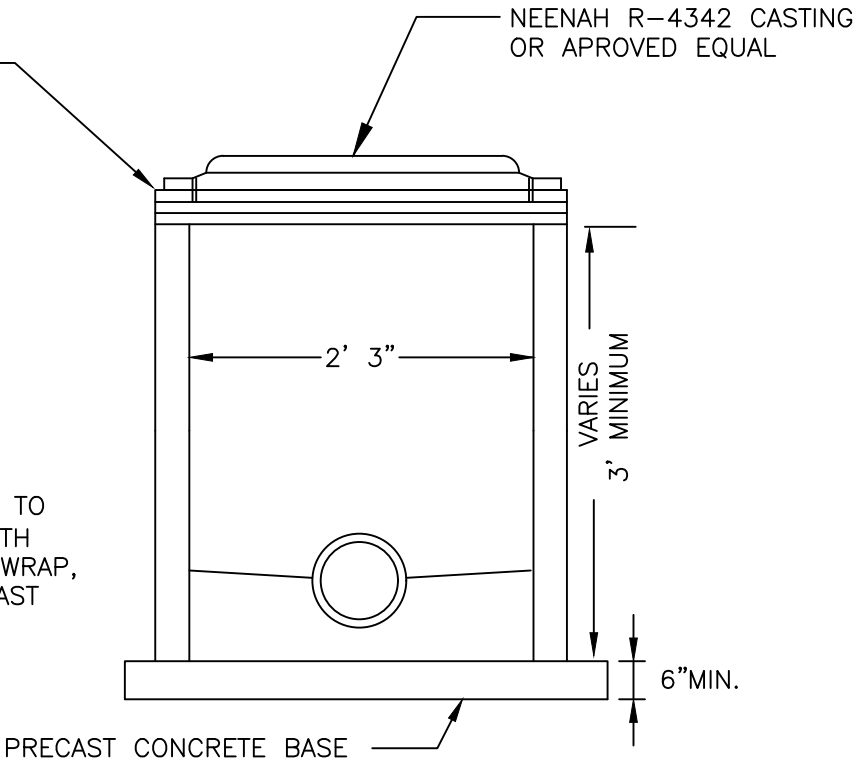
MIN, 2 CONCRETE ADJUSTING RINGS.
 MAX OF 1' OF RINGS. THE CONTRACTOR SHALL USE A 6" ADJUSTING RING IF THE REQUIRED ADJUSTMENT IS BETWEEN 8" AND 1'.

MORTAR EXTERIOR OF RINGS

RAM-NECK JOINT FILLER UNDER CASTING NOT IN PAVED AREAS.

ALL REAR YARD C.B.'S W/R4342 CASTING SHALL HAVE RAM-NECK SEAL UNDER CASTING AND A MINIMUM OF 6 ADJUSTING RINGS.

ALL EXTERIOR JOINTS (BASE TO CONE) SHALL BE SEALED WITH GATOR WRAP BRAND BUTYL WRAP, OR APPROVED EQUAL AT LEAST 12-INCHES WIDE.



STORM SEWER
 CATCH BASIN
 ROUND 27" DIAMETER

PLATE NO. LV-STM-17

DATE 02/2024