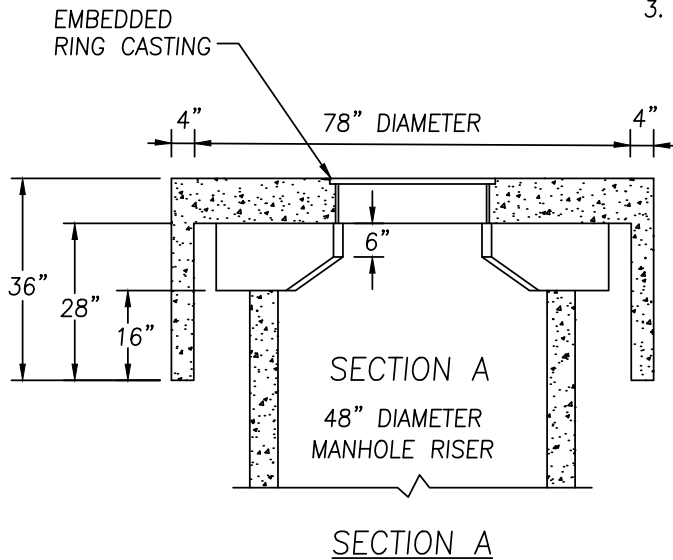


NOTES:

1. CONCRETE & MATERIALS CONFORM TO ASTM C478 STANDARD SPECIFICATIONS FOR "PRECAST REINFORCED MANHOLE SECTIONS" WITH 4 1/2% TO 7% AIR ENTRAINMENT & 4,000 P.S.I. CONCRETE STRENGTH.
2. 27"Ø RING CASTING EMBEDDED AS SHOWN. MnDOT CASTING NO. 790-2 A TYPE C GRATE SHALL BE USED ON STRUCTURES WHERE THE TOP SLAB IS ABOVE THE 10 YEAR EVENT ELEVATION A SOLID SHALL BE USED ON OTHERS.
3. TOP TO HAVE SMOOTH TROWEL FINISH.



CRETEX CONCRETE PRODUCTS  
48" DIAMETER CAP SKIMMER  
OR APPROVED EQUAL.



PRECAST 48" DIAMETER  
CAP SKIMMER

PLATE NO. LV-STM-15

DATE 02/2024