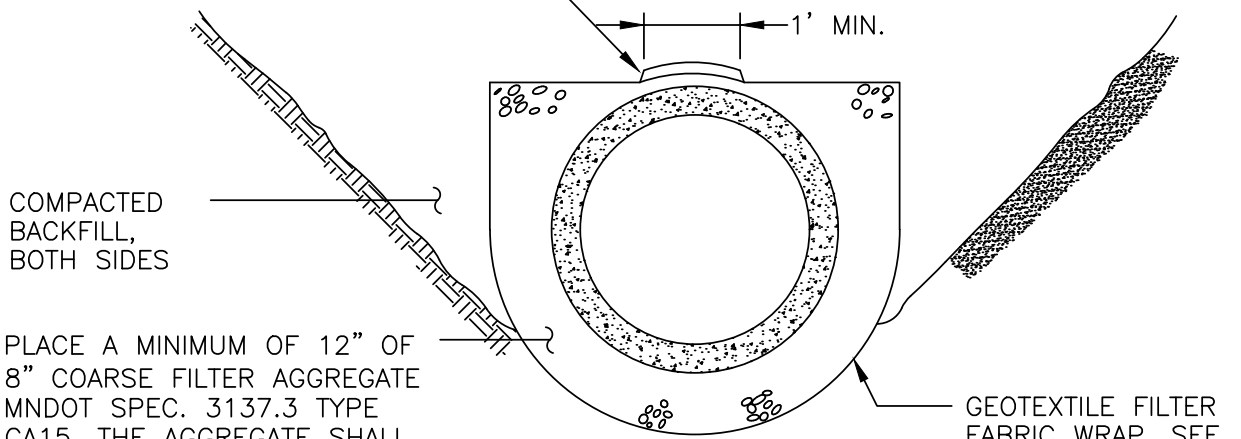


WRAP NON-PERFORATED PIPE PRECEDING OR FOLLOWING PERFORATED PIPE FOR MINIMUM OF TWO FEET

OVERLAP GEOTEXTILE OVER PIPE FOR MIN. OF 1'. HEIGHT OF FABRIC WRAP AND ROCK TO BE DETERMINED ACCORDING TO SOIL CONDITIONS.



PLACE A MINIMUM OF 12" OF 8" COARSE FILTER AGGREGATE MNDOT SPEC. 3137.3 TYPE CA15. THE AGGREGATE SHALL BE ROUND RIVER ROCK, WASHED AND FREE OF FINE PARTICLES. INCIDENTAL TO PIPE CONSTRUCTION.

GEOTEXTILE FILTER FABRIC WRAP, SEE DETAIL LV-STM-9 INCIDENTAL TO PIPE CONSTRUCTION.



PERFORATED STORM SEWER

AND PLACEMENT

PLATE NO. LV-STM-14

DATE 02/2024