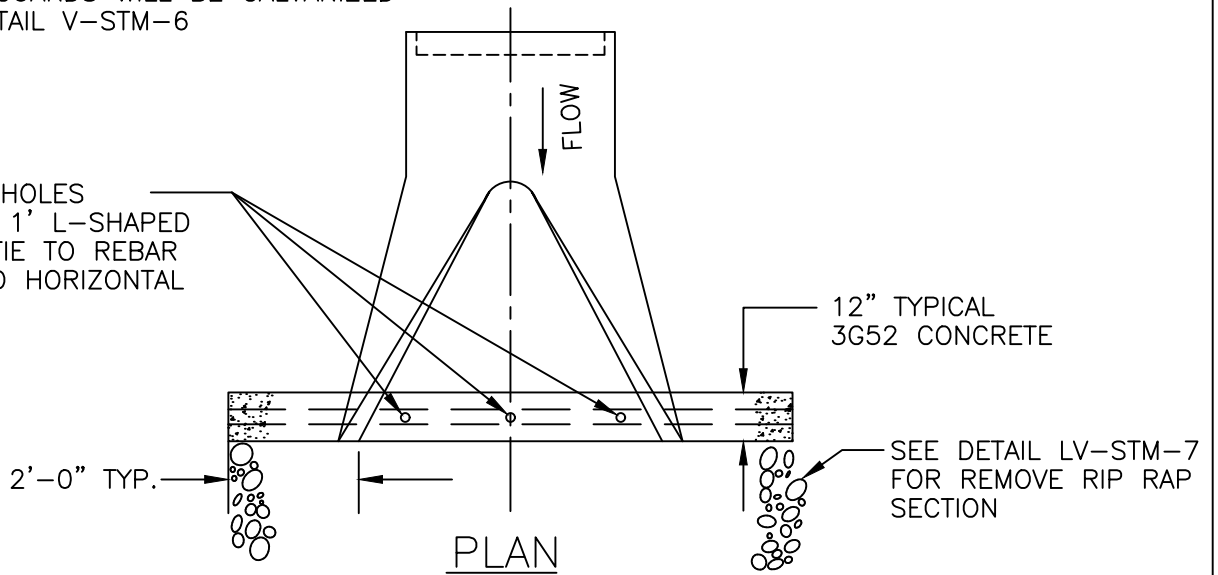


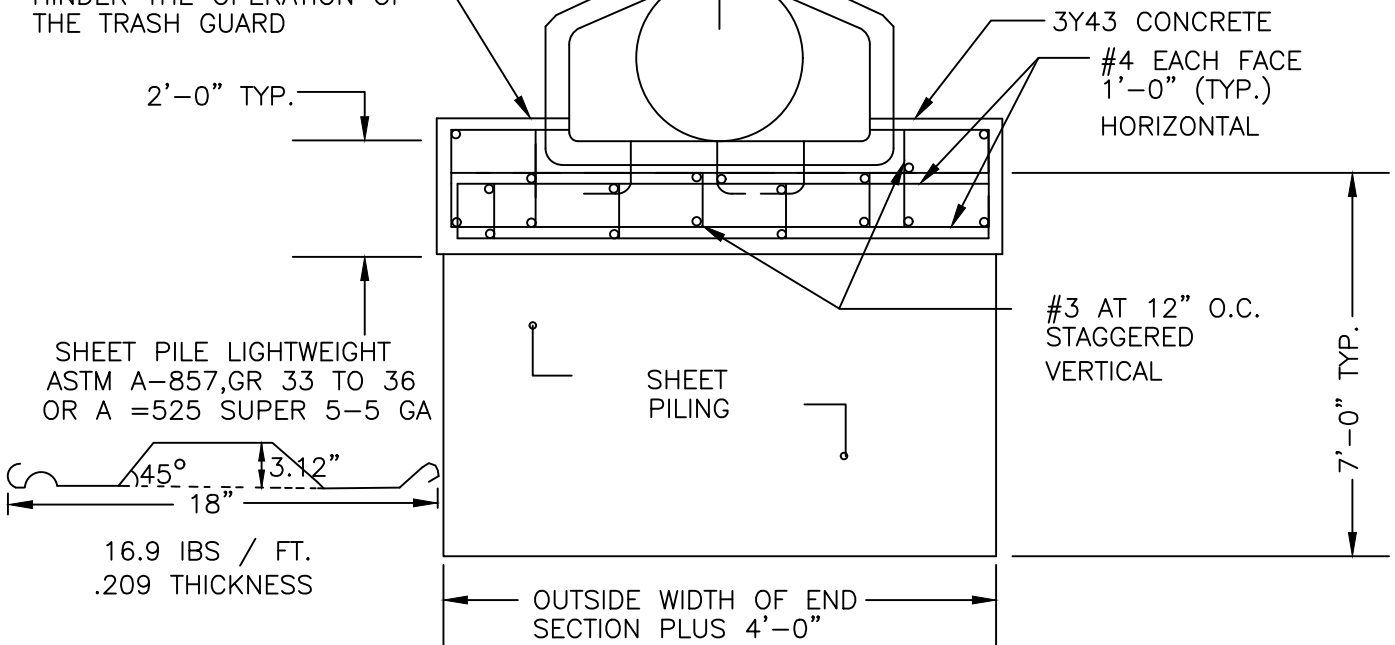
NOTE: FLARED END SECTION 21" IN DIAMETER OR LARGER (TYP.)
 TRASH GUARDS WILL BE GALVANIZED
 SEE DETAIL V-STM-6

(3) 1-1/4" HOLES
 USE 3-1" BY 1' L-SHAPED BOLTS AND TIE TO REBAR
 VERTICAL AND HORIZONTAL



NOTE: TIE LAST 3 JOINTS

NOTE: BRING CONCRETE HEADWALL UP TO A POINT THAT WILL NOT HINDER THE OPERATION OF THE TRASH GUARD



ELEVATION



STORM SEWER
 PILING & CONCRETE
 END SECTION
 (21" DIAMETER AND LARGER)

PLATE NO. LV-STM-8

DATE 02/2024