

ESS BROS. MCI-309, OR NEENAH CASTING NO.1642, W/2 CONCEALED PICKHOLES AND THE WORDS "STORM SEWER" STAMPED ON THE COVER. OR APPROVED EQUAL R-4342 IF INLET

ALL GROUTING MUST BE AN APPROVED NON-SHRINKABLE GROUT MIX FOR UNDERGROUND CONSTRUCTION.

MIN, 2 CONCRETE ADJUSTING RINGS.
MAX OF 1' OF RINGS. THE CONTRACTOR SHALL USE A 6" ADJUSTING RING IF THE REQUIRED ADJUSTMENT IS BETWEEN 8" AND 1'.

ALL EXTERIOR JOINTS (BASE TO CONE) SHALL BE SEALED WITH GATOR WRAP BRAND BUTYL WRAP, OR APPROVED EQUAL AT LEAST 12-INCHES WIDE.

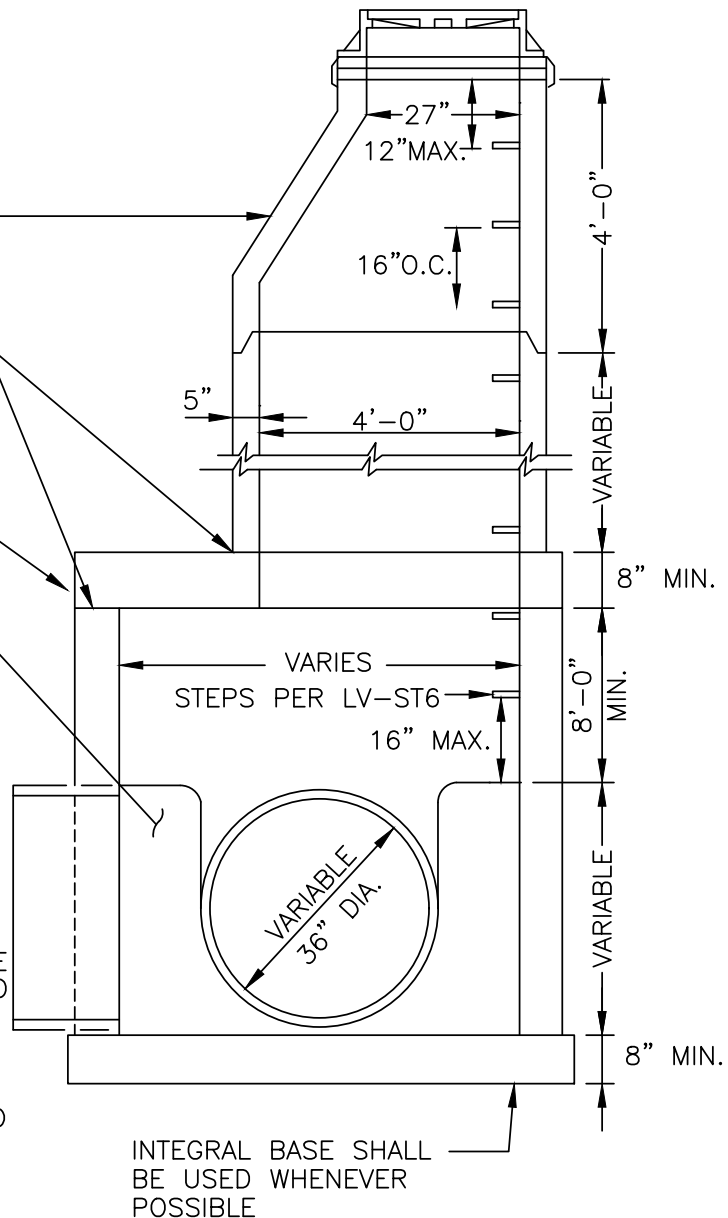
RAM-NECK JOINT FILLER UNDER CASTINGS NOT IN PAVED AREAS

PRECAST CONCRETE ECCENTRIC CONE WHEN DEPTH IS GREATER THAN 16 FEET

JOINT FILLER TO BE RAM-NECK OR APPROVED EQUAL.

PRECAST CONCRETE TOP SLAB

CONSTRUCT BENCH WITH CONCRETE FILL TO CROWN OF HIGHEST PIPE. SLOPE FLOOR TO PROVIDE SMOOTH FLOW FROM INLET TO OUTLET



- NOTE: 1. MANHOLE STEPS SHALL BE LOCATED AWAY FROM PIPE OPENINGS.
2. PRECAST CONCRETE MANHOLE AND BASE SECTIONS SHALL BE ACCORDING TO ASTM C-478 W/O-RING JOINTS, BUT CONCRETE SEWER BLOCKS MAY BE USED TO GET ABOVE LARGEST PIPE IN MANHOLE.
3. PRECAST CONCRETE TOP SLAB(S) SHALL BE DESIGNED FOR ASSHTO HS-25 HIGHWAY LOADING, PLUS DEAD LOAD.

INTEGRAL BASE SHALL BE USED WHENEVER POSSIBLE



STORM SEWER
LARGE DIAMETER MANHOLE
(DEEP LINE)

PLATE NO. LV-STM-4

DATE 02/2024