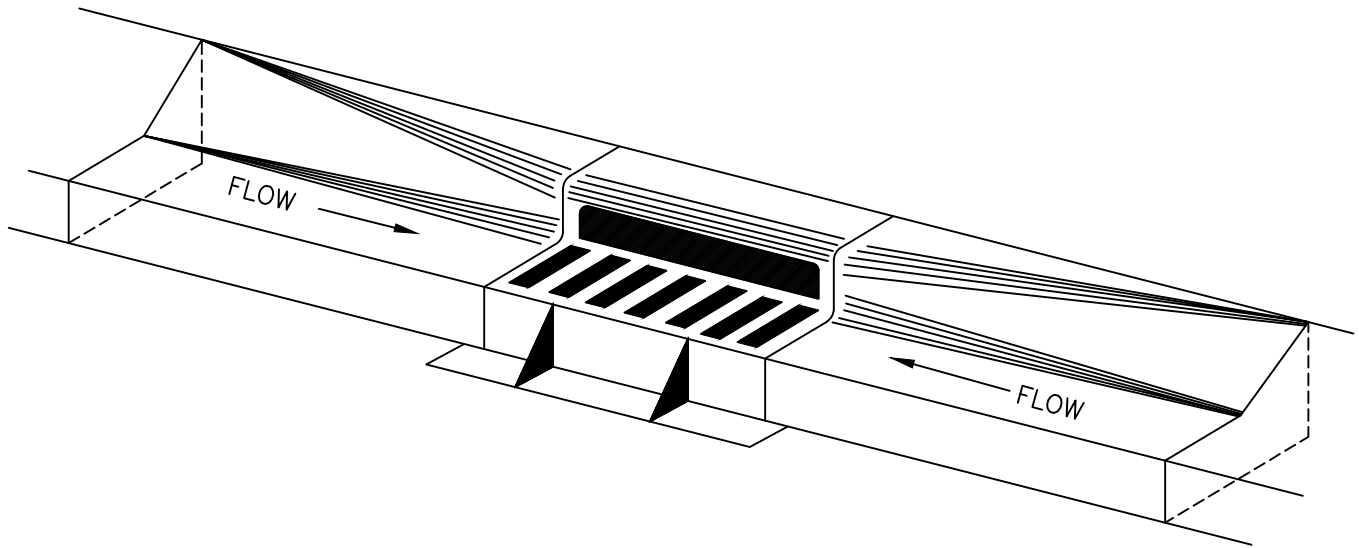


PLAN  
NO SCALE



NOTE: MECHANICAL VIBRATION MUST BE USED ON ALL CURB FILL-IN WORK TO REDUCE SEGREGATION.



STREET  
D412 CURB TRANSITION  
AT CATCH BASINS

PLATE NO. LV-STM-3

DATE 02/2024