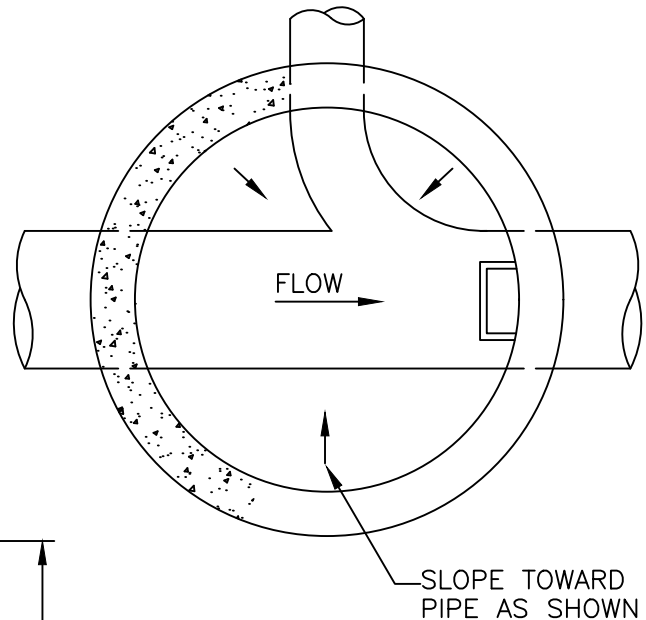
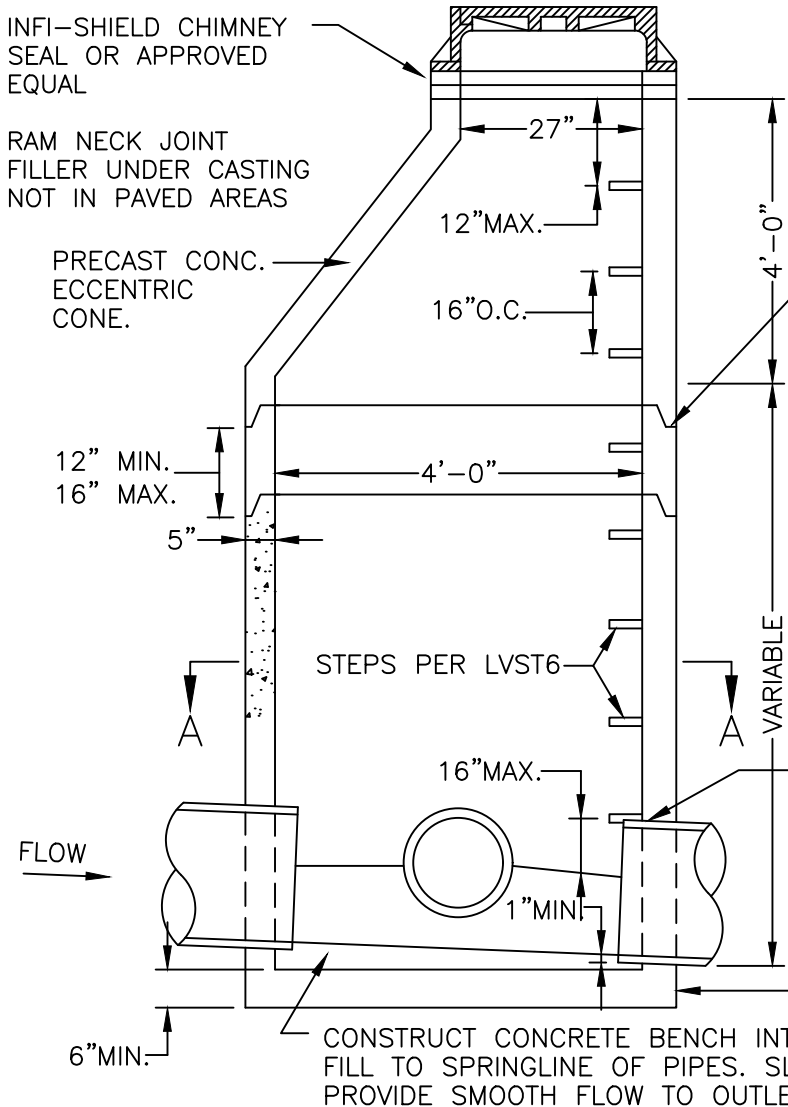


ESS BRDS. MCI-309, OR NEENAH CASTING NO.1642, W/2 CONCEALED PICKHOLES AND THE WORDS "SANITARY SEWER" STAMPED ON THE COVER. OR APPROVED EQUAL

MIN, 2 CONCRETE ADJUSTING RINGS.  
 MAX OF 1' OF RINGS. THE CONTRACTOR SHALL USE A 6" ADJUSTING RING IF THE REQUIRED ADJUSTMENT IS BETWEEN 8" AND 1'.



SECTION A-A



ALL EXTERIOR JOINTS (BASE TO CONE) SHALL BE SEALED WITH GATOR WRAP BRAND BUTYL WRAP, OR APPROVED EQUAL AT LEAST 12-INCHES WIDE.

PRECAST CONCRETE MANHOLE SECTIONS AND INTEGRAL BASE SHALL BE ACCORDING TO ASTM C-478 W/O-RING JOINTS ALL EXTERIOR JOINTS (BASE TO CONE) TO BE SEALED WITH BUTYL WRAP AND PRIMER A MINIMUM 16" WIDE

ALL GROUTING MUST BE AN APPROVED NON-SHRINKABLE GROUT MIX

MANHOLE CONNECTION PER SPEC 3.04D NON SHRINKABLE GROUT MIX DESIGNED FOR UNDERGROUND UTILITY CONSTRUCTION

INTEGRAL BASE SECTION

FLOW

6" MIN.

CONSTRUCT CONCRETE BENCH INTEGRAL WITH BASE. FILL TO SPRINGLINE OF PIPES. SLOPE FLOOR TO PROVIDE SMOOTH FLOW TO OUTLET.



SANITARY SEWER  
 STANDARD MANHOLE  
 (48" INSIDE  
 DIAMETER)

PLATE NO. LV-SS-1

DATE 02/2024